

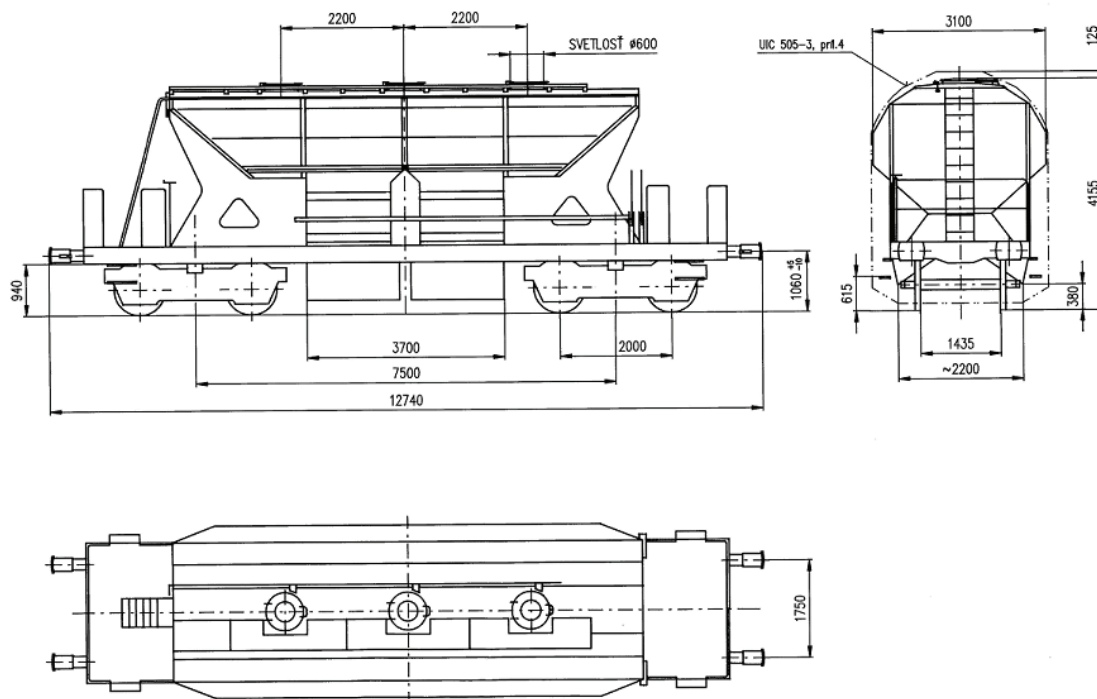
Uadds



Use:

Wagon of special construction with three loading apertures is intended to carry bulk unclean substrates. The wagon construction enables double-sided gravity discharge.





Wagon technical parameters

Wagon series		Uadds
Digit interval		9348
Construction group		11
Interoperability		31
Number of axles		4
Bogie type		26 - 2.8
Wagon length over the buffers		12,74 m
Wagon tare		23,00 t
Loading capacity (speed 90 km/h)	A	40,50 t
	B ₁	40,50 t
	B ₂	49,00 t
	C	49,00 (57,00) t
Axle base / pivot pins distance		7,50 m
Roof aperture	number	3
	aperture luminosity	0,60 m
Loading volume		38,00 m ³
Note		